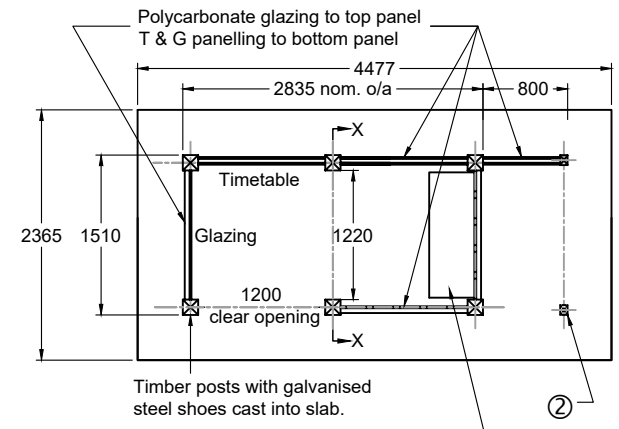
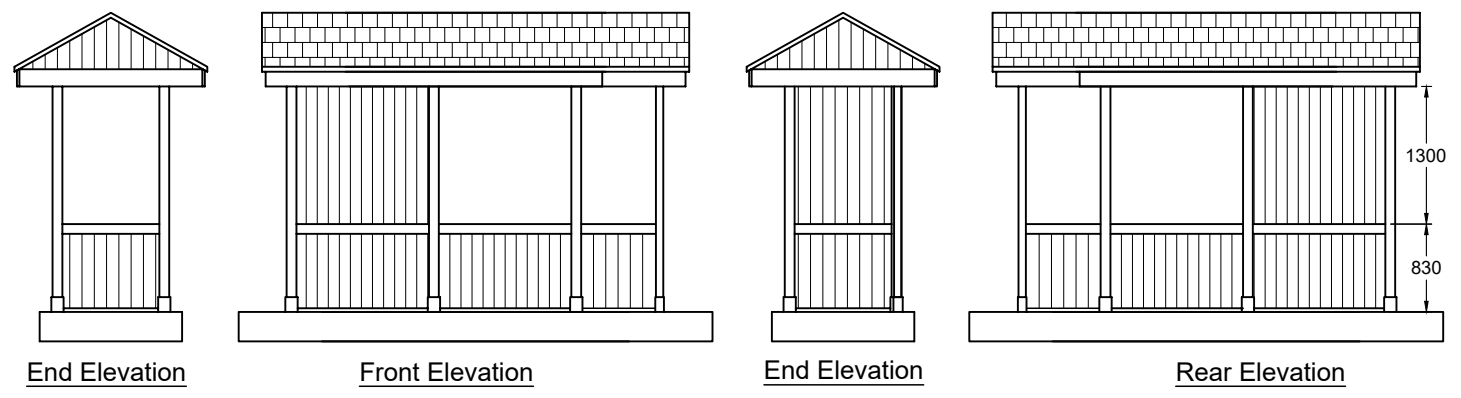


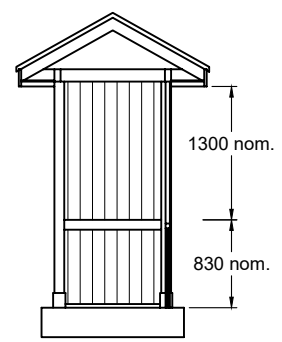
Notes

1. Shelter foundations to be laid at 1:50 gradient. Shelter to be erected vertically.
2. Alternative position for panel



Timber posts with galvanised steel shoes cast into slab.

New bench to be fitted on 3 No. vertical pattresses between bottom and middle rail and supported using 3 No. steel brackets.



Section X - X

General Plan

This is a typical detail and may require conversion to a full scheme specific drawing.

NOT TO SCALE
(all units in millimetres)

Disclaimer : Before making use of this detail, any designer or third party must ensure that it satisfies all requirements of the scheme to which it is being applied. Lincolnshire County Council accept no responsibility for third party use of this Standard Detail.

Rev:	Date:	Description:	Approved by:
AMENDMENT DETAILS			



Checked by:	GP	Approved by:	SB
-------------	----	--------------	----

ISSUED 12/-5/17

Rural Shelter
Type D
Disabled Access with Extension Panel

SD/11/29D
Standard Detail Number

Revision Number

Revision