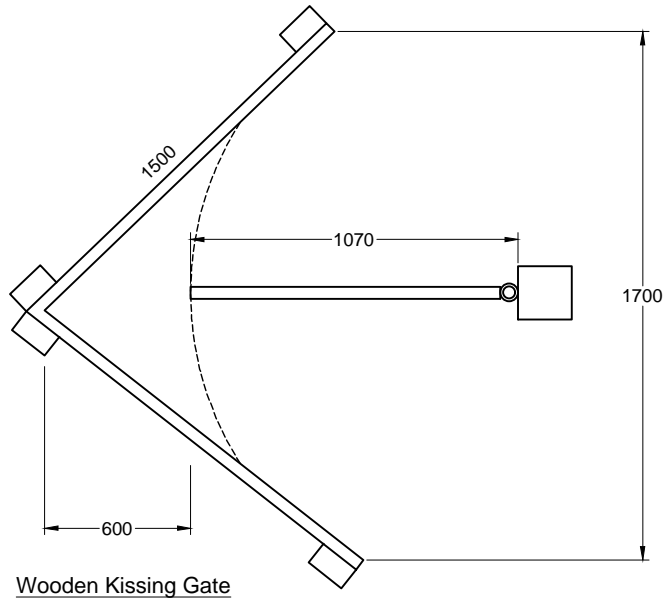
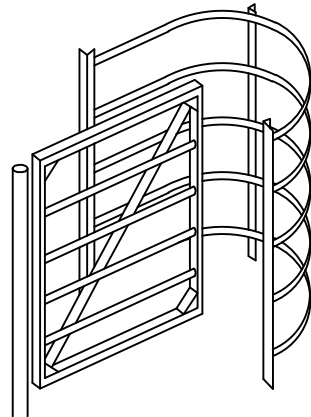


Notes

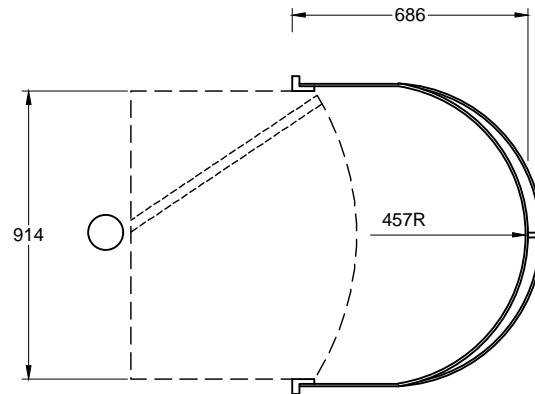
1. Footings will be required. These should be designed to suit the specific site.



Wooden Kissing Gate



Standard Kissing Gate



This is a typical detail and may require conversion to a full scheme specific drawing.

NOT TO SCALE
(all units in millimetres)

Disclaimer : Before making use of this detail, any designer or third party must ensure that it satisfies all requirements of the scheme to which it is being applied. Lincolnshire County Council accept no responsibility for third party use of this Standard Detail.

Rev:	Date:	Description:	Approved by:
AMENDMENT DETAILS			

Lincolnshire
COUNTY COUNCIL

Checked by:	GP	Approved by:	SB
-------------	----	--------------	----

ISSUED	12/05/17
--------	----------

Kissing Gates

SD/3/10
Standard Detail Number

Revision Number