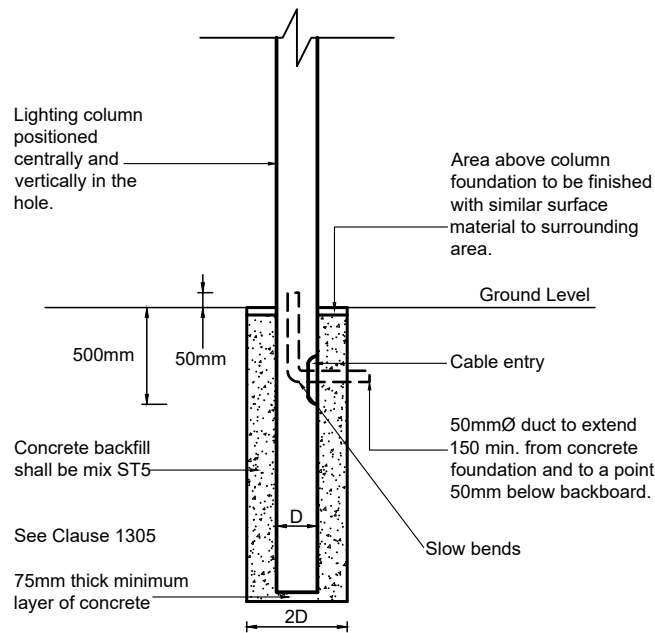
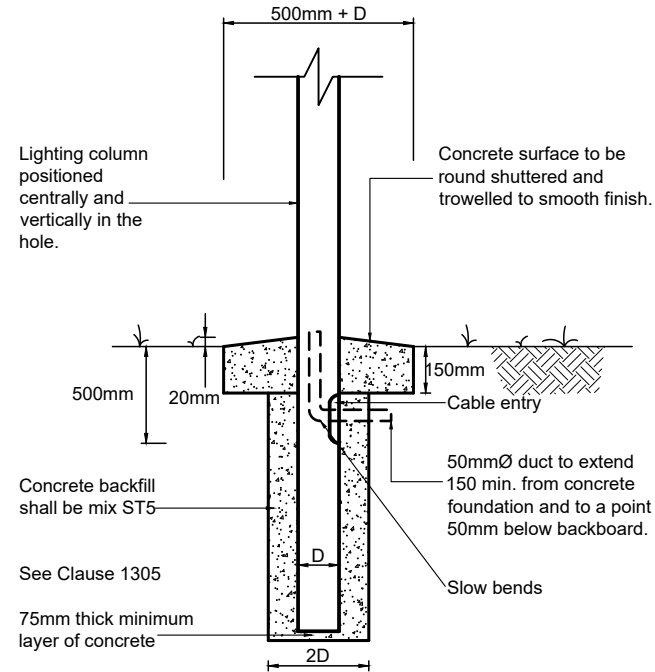


Notes

1. Dimensions of columns shall comply with Appendix 13/1 Part 2.
2. Type G1a (LCC) Root finish to be 250mm above ground level.
3. Where necessary to facilitate entry for more than one cable, further 50mm ducts shall be installed through column foundation.
4. Black duct for R.E.C. supply.
5. Planting depths as Appendix 13/1 unless otherwise specified.



Column sited in Surfaced Area



Column sited in Verge

Rev:	Date:	Description:	Approved by:
AMENDMENT DETAILS			



Checked by:	PC	Approved by:	SB
-------------	----	--------------	----

ISSUED 02/12/14

Column Foundation

This is a typical detail and may require conversion to a full scheme specific drawing.

NOT TO SCALE
(all units in millimetres)

Disclaimer : Before making use of this detail, any designer or third party must ensure that it satisfies all requirements of the scheme to which it is being applied. Lincolnshire County Council accept no responsibility for third party use of this Standard Detail.

SD/14/2A
Standard Detail Number

Revision Number

Revision