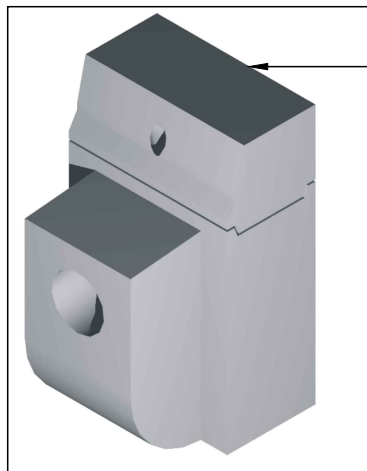
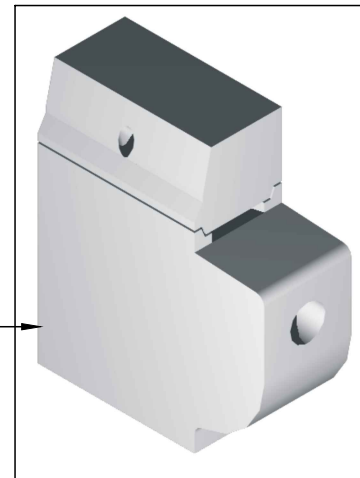


Note

1. Minimum bed on 30% CBR base to be 100mm ST3 concrete or in accordance with manufacturers instructions.



Inline Side Outlet Outfall
Comprising a two section concrete trapped Outfall, with cast iron mini access cover. Side outlet for 150mmØ pipework with universal seal. Knock out panels to allow runs from both sides.



Inline End Outlet Outfall
Comprising a two section concrete trapped Outfall, with cast iron mini access cover. End outlet for 100mmØ pipework with universal seal. Knock out panels to allow runs from one side only.

This is a typical detail and may require conversion to a full scheme specific drawing.

NOT TO SCALE
(all units in millimetres)

Disclaimer : Before making use of this detail, any designer or third party must ensure that it satisfies all requirements of the scheme to which it is being applied. Lincolnshire County Council accept no responsibility for third party use of this Standard Detail.

Rev:	Date:	Description:	Approved by:
AMENDMENT DETAILS			



Checked by:	GP	Approved by:	SB
-------------	----	--------------	----

ISSUED 12/05/17

Combined Drainage and Kerb System
Type 2

SD/5/109
Standard Detail Number

Revision Number