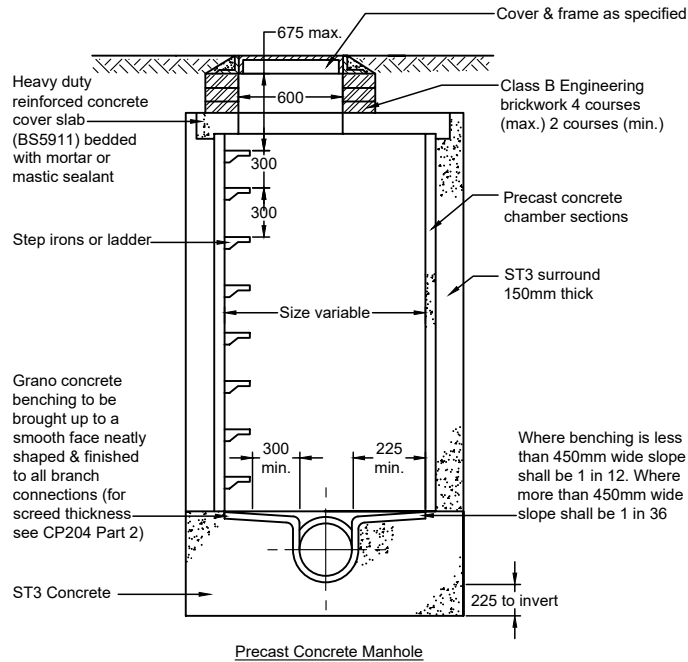
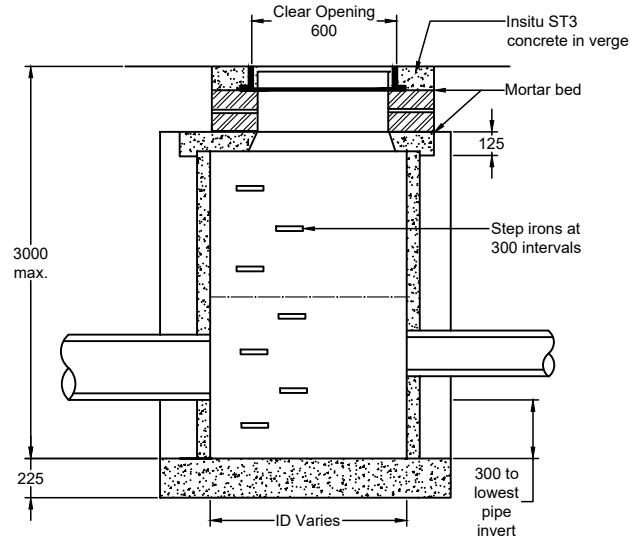


Notes

1. Step irons to BS 5911: Part 1 and BS 1247: Part 1 when invert exceeds 675mm.
2. Foundation slab & surround to be ST3 concrete.
3. Precast concrete sections to BS 5911: Part 1 min. wall thickness 60mm.
4. Cover slab to BS 5911: Part 1 positioned at upstream end of m.h.
5. Engineering bricks to be Class B to BS EN 772-1, BS EN 772-3 & BS EN 772-7.
6. Mortar bed to be Type (i) mortar to Clause 2404.
7. Circular cover and frame uncoated iron kite marked or equivalent to BS EN 124.
8. Pipes entering manholes shall have a flexible joint within 600mm of the inside face of the manhole.
9. Where cover is to be trafficked or laid against within 24 hours of frame being placed in position, then a suitable ultra rapid hardening mortar and concrete (Monoset 241 or similar) shall be used to bed cover and frame.



Precast Concrete Manhole



Precast Concrete Catchpit

Design Group		I.D.	Concrete Surround	Cover & frame Class	Pipe dia. up to	Location
Manhole	Catchpit					
M1	M1C	1050	150	C250	225	Verges / footways
M2	M2C					NOT USED
M3	M3C	1050	150	D400	225	Carriageway access
M4	M4C	1200	150	C250	375	Verges / footways
M5	M5C	1200	150	D400	375	Carriageway access
M6	M6C					NOT USED
M7	M7C	1350	150	C250	450	Verges / footways
M8	M8C					NOT USED
M9	M9C	1350	150	D400	450	Carriageway access

1050mm I.D.
Where depth to soffit is between 1.35 and 1.5m

This is a typical detail and may require conversion to a full scheme specific drawing.

NOT TO SCALE
(all units in millimetres)

Disclaimer : Before making use of this detail, any designer or third party must ensure that it satisfies all requirements of the scheme to which it is being applied. Lincolnshire County Council accept no responsibility for third party use of this Standard Detail.

Rev: AMENDMENT DETAILS Date: Description: Approved by:



Checked by: GP Approved by: SB

ISSUED 12/05/17

Circular Precast Concrete Manhole
Type B / Catchpit (Pipes max. 450)
to Water Authorities Standard

SD/5/12
Standard Detail Number

Revision Number