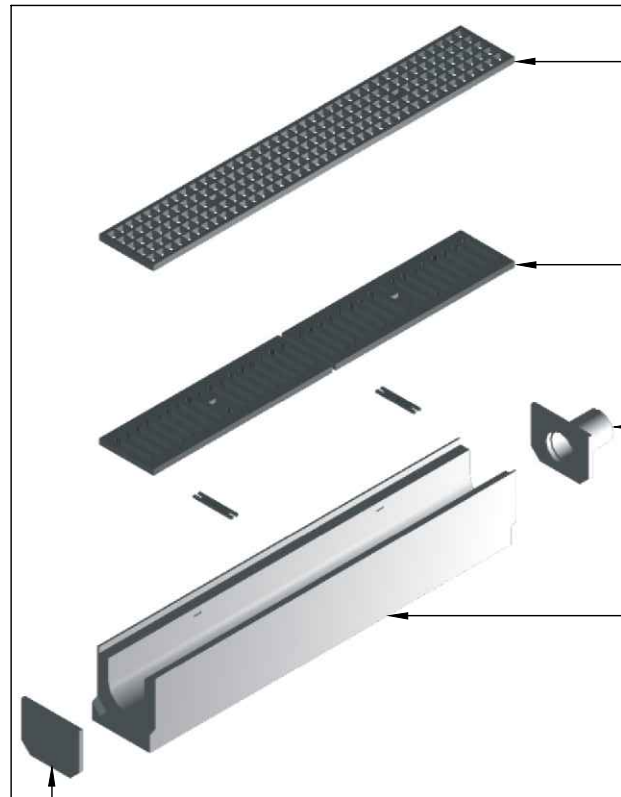
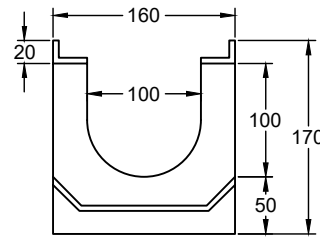


Note

1. Minimum bed on 30% CBR base to be 100mm ST3 concrete or in accordance with manufacturers instructions.



Lite Galvanised Grating
(Either 30 x 15mm or
30 x 30mm mesh)

Cast Iron Grating
(Either 100 x 6mm or
100 x 12mm slots)
Two pieces shown.

Lite Cap Outlet

Lite 100 Channel
Constant Depth Invert
supplied with locking bars

Lite End Cap

Rev:	Date:	Description:	Approved by:
AMENDMENT DETAILS			



Checked by:	GP	Approved by:	SB
-------------	----	--------------	----

ISSUED 12/05/17

Linear Drainage System
Type 1

This is a typical detail and may require conversion to a full scheme specific drawing.

NOT TO SCALE
(all units in millimetres)

Disclaimer : Before making use of this detail, any designer or third party must ensure that it satisfies all requirements of the scheme to which it is being applied. Lincolnshire County Council accept no responsibility for third party use of this Standard Detail.

SD/5/110
Standard Detail Number

Revision Number