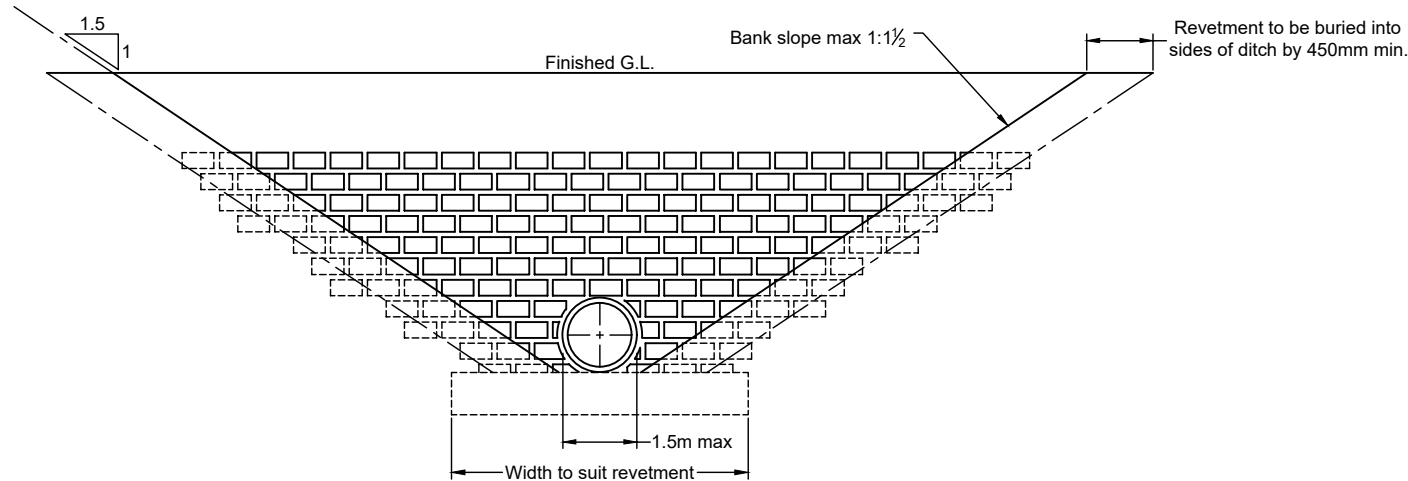
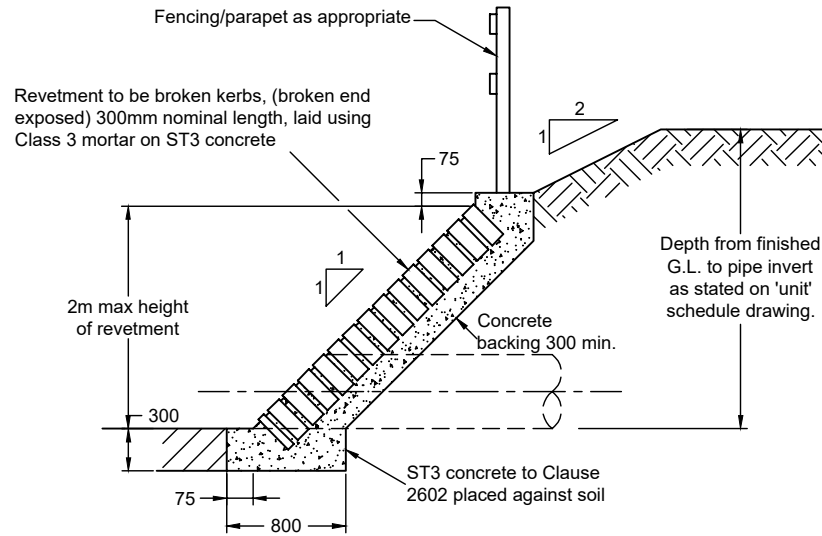


Notes

1. For use with concrete and plastic pipes and C.S.S. up to 1.5m Ø
2. Some plastic pipes are not UV stabilised and will become brittle when exposed to sunlight.



Rev:	Date:	Description:	Approved by:
A1	14/01/21	Notes amended to include concrete pipes and note 2 warning re plastic pipes	JM



Checked by:	GP	Approved by:	SB
-------------	----	--------------	----

ISSUED	12/05/17
--------	----------

Reveted Kerb Headwalls
up to 2m height

This is a typical detail and may require conversion to a full scheme specific drawing.

NOT TO SCALE
(all units in millimetres)

Disclaimer : Before making use of this detail, any designer or third party must ensure that it satisfies all requirements of the scheme to which it is being applied. Lincolnshire County Council accept no responsibility for third party use of this Standard Detail.

SD/5/101
Standard Detail Number

A1
Revision Number