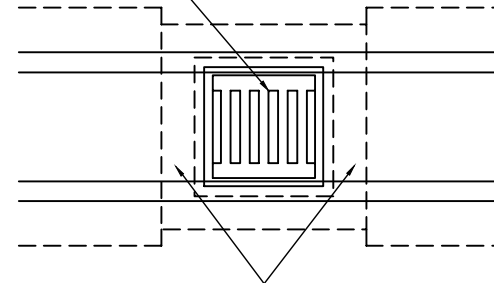


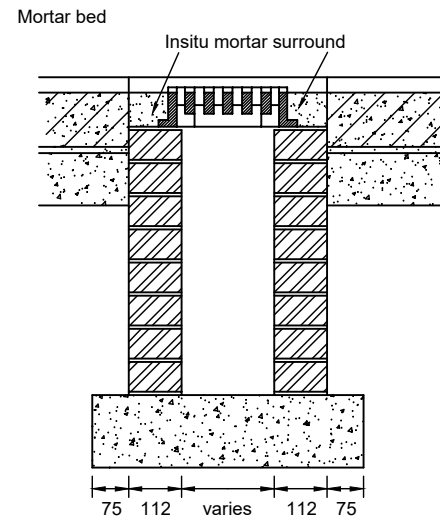
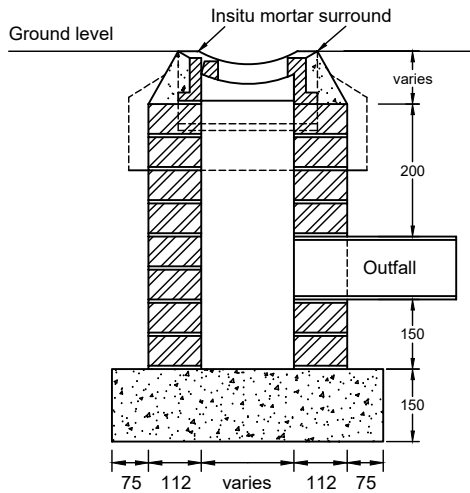
Precast Concrete Dished Channel

design group	overall size		dish	
	width	depth	width	depth
C1	152	102	102	12.7
C2	254	127	127	25.4
C3	254	127	203	25.4
C4	305	152	228	25.4
all groups	914 long			

Hinged, bolted, dished, straight bar gully grate and frame.



Insitu mortar surround shaped to contour of dished channel



Notes

1. Concrete bed and surround to be ST3
2. Mortar bed to be Class 1 to Clause 2404 thickness 10-40mm to Clause 1101.
3. Insitu mortar surround to be class 3 to Clause 2404.
4. Gully grate and frame to B.S. E.N. 124.
5. Engineering bricks to be Class B to B.S. 3921.
6. Outfall varies to plan.
7. Foundation to catchpit gully to be ST3 concrete.
8. Pedestrian friendly grating to be utilised in pedestrian areas.

Rev:	Date:	Description:	Approved by:
AMENDMENT DETAILS			



Checked by:	GP	Approved by:	SB
-------------	----	--------------	----

ISSUED 12/05/17

Precast Concrete Dished Channel and Catchpit Drainage Arrangement

This is a typical detail and may require conversion to a full scheme specific drawing.

NOT TO SCALE  
(all units in millimetres)

**Disclaimer :** Before making use of this detail, any designer or third party must ensure that it satisfies all requirements of the scheme to which it is being applied. Lincolnshire County Council accept no responsibility for third party use of this Standard Detail.

**SD/5/104**  
Standard Detail Number

Revision Number