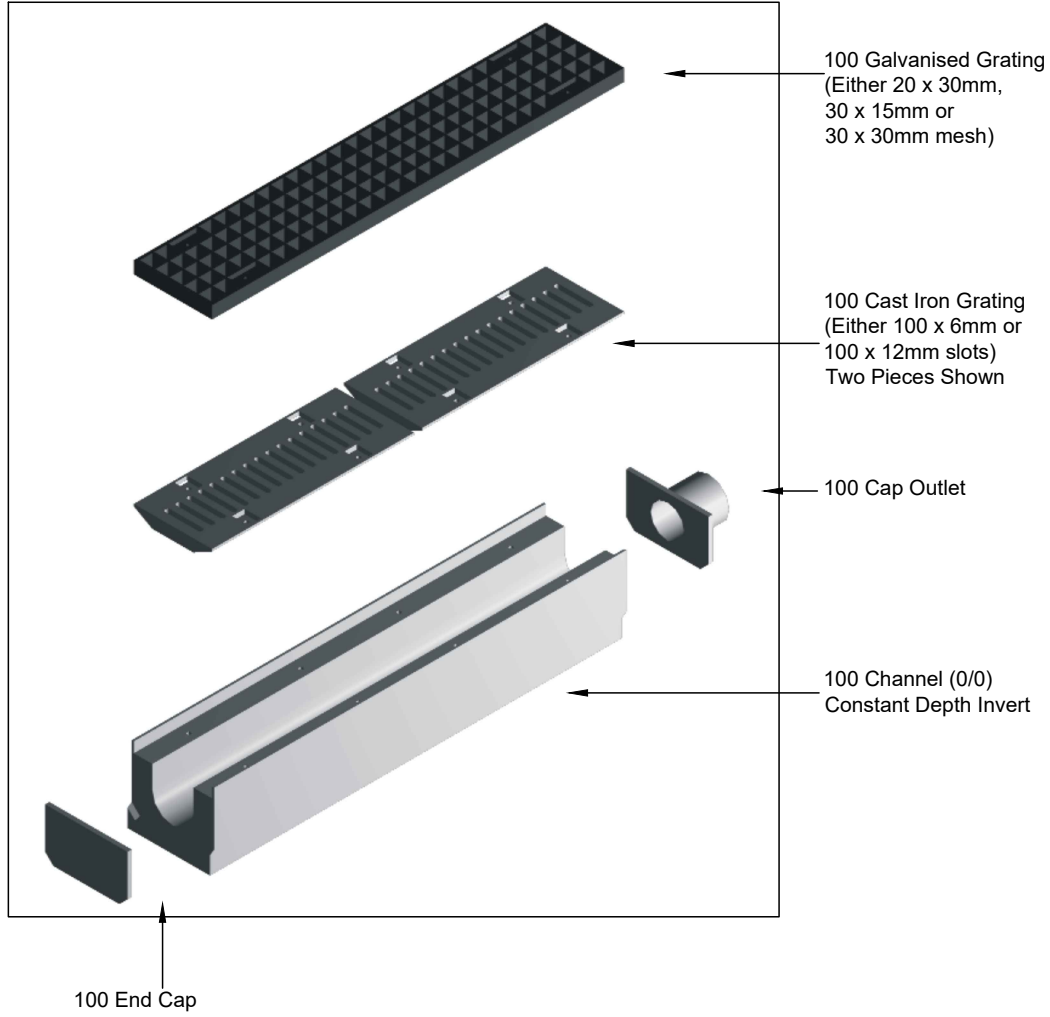


Note

1. Minimum bed on 30% CBR base to be 100mm ST3 concrete or in accordance with manufacturers instructions.




Rev:	Date:	Description:	Approved by:
AMENDMENT DETAILS			



Checked by:	GP	Approved by:	SB
-------------	----	--------------	----

ISSUED 12/05/17

Linear Drainage System  
Type 1

This is a typical detail and may require conversion to a full scheme specific drawing.

NOT TO SCALE  
(all units in millimetres)

**Disclaimer :** Before making use of this detail, any designer or third party must ensure that it satisfies all requirements of the scheme to which it is being applied. Lincolnshire County Council accept no responsibility for third party use of this Standard Detail.

SD/5/111  
Standard Detail Number

Revision Number