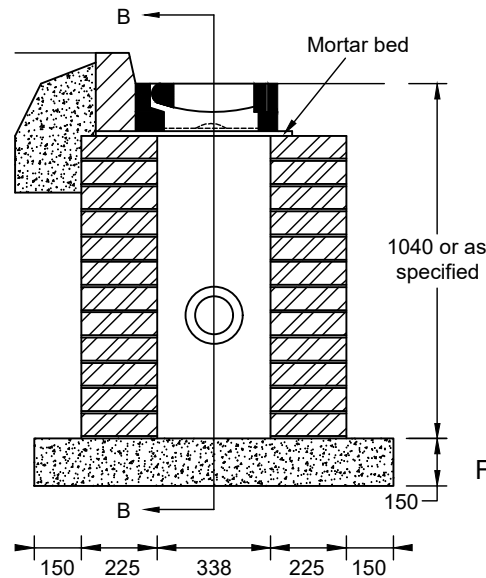
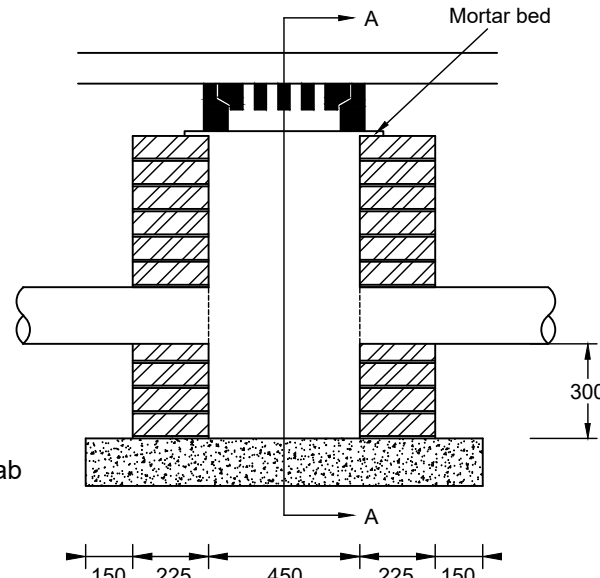


Type G5 Concrete Catchpit Gully



Section A - A



Section B - B

Type G6 Brick Catchpit Gully

Notes

1. D400 cover and frame to be ductile iron Kite marked to BS EN 124.
2. Mortar bed to be Class 1 to Clause 2404 thickness 25mm.
3. Bricks to be Class B Engineering to BS 3921.
4. Foundation slab to be ST3 concrete.
5. Bed and surround to be ST3 concrete.
6. 150mm thick ST3 concrete bed and surround as protection to inlet and/or outlet if under carriageway.
7. Position of inlet varies in plan.

Rev:	Date:	Description:	Approved by:
AMENDMENT DETAILS			



Checked by:	GP	Approved by:	SB
-------------	----	--------------	----

ISSUED	12/05/17
--------	----------

Catchpit Gullies

This is a typical detail and may require conversion to a full scheme specific drawing.

NOT TO SCALE
(all units in millimetres)

Disclaimer : Before making use of this detail, any designer or third party must ensure that it satisfies all requirements of the scheme to which it is being applied. Lincolnshire County Council accept no responsibility for third party use of this Standard Detail.

SD/5/105
Standard Detail Number

Revision Number

Revision