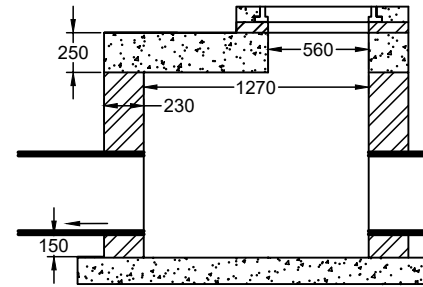
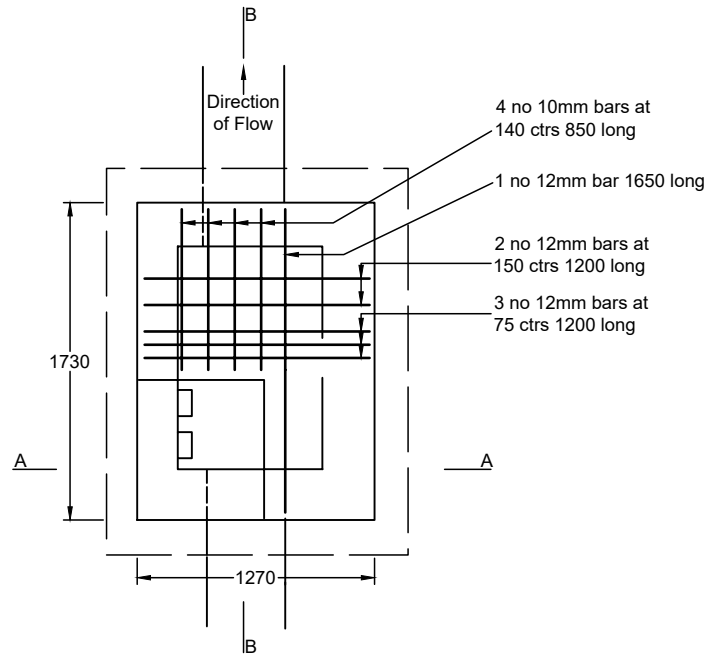


Section A-A



Section B-B



Notes

1. Bricks to be Class B Engineering bricks to BS EN 772-1, BS EN 772-3 & BS EN 772-7 built in English bond.
2. Insitu ST3 concrete to be compacted at medium workability.
3. Minimum cover to steel 45mm.
4. Entrance to catchpit to be a maximum distance from outfall pipe.
5. Mortar bed to be Class (i) to Clause 2404.
6. Cover and frames uncoated iron, kite marked or equivalent to BS EN 124 as specified in drainage schedule.
7. Insitu concrete to Clause 1704 to cover slab.
8. Step irons to BS 5911 Part 3 and BS 1247-1 when invert exceeds 900mm below cover.
9. Where cover is to be trafficked or laid against within 24 hours of frame being placed in position, then a suitable ultra rapid hardening mortar and concrete shall be used to bed cover and frame.

Rev:	Date:	Description:	Approved by:
AMENDMENT DETAILS			



Checked by:	GP	Approved by:	SB
-------------	----	--------------	----

ISSUED 12/05/17

Brick Catchpit

This is a typical detail and may require conversion to a full scheme specific drawing.

NOT TO SCALE
(all units in millimetres)

Disclaimer : Before making use of this detail, any designer or third party must ensure that it satisfies all requirements of the scheme to which it is being applied. Lincolnshire County Council accept no responsibility for third party use of this Standard Detail.

SD/5/10
Standard Detail Number

Revision Number