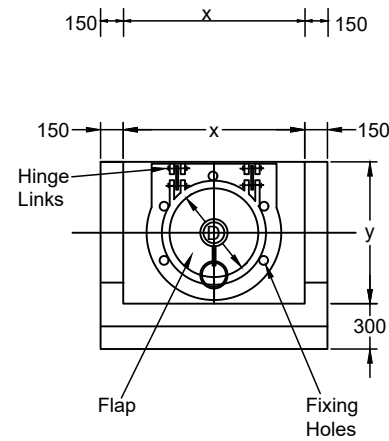
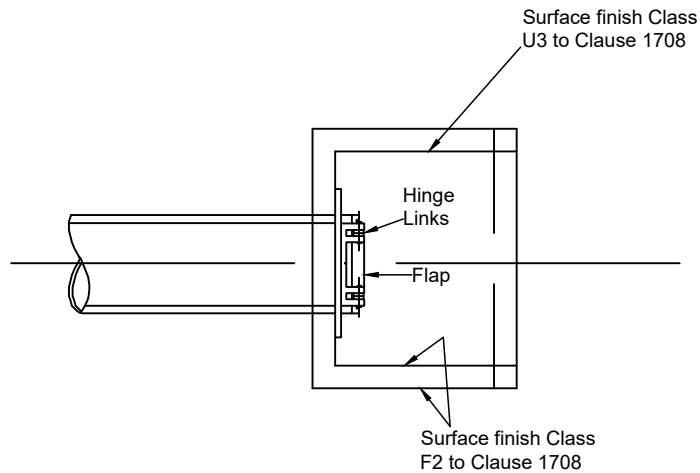


Section



Elevation



Plan

Notes

1. Flap valve to be double hung type as shown with cast iron frame and flap with gun-metal faces and manganese-bronze hinge-pins with mild steel bronze bushed hinge links to BS 4504 Part 3, Section 3; Grade ST4 concrete to Clause 1704.

$x = d + 450\text{mm}$
 $y = \text{outside dia of pipe} + 300\text{mm}$

Rev: AMENDMENT DETAILS Date: Description: Approved by:



Checked by: GP Approved by: SB

ISSUED 12/05/17

Concrete Outfall Unit
With Flap Valve

This is a typical detail and may require conversion to a full scheme specific drawing.

NOT TO SCALE
(all units in millimetres)

Disclaimer : Before making use of this detail, any designer or third party must ensure that it satisfies all requirements of the scheme to which it is being applied. Lincolnshire County Council accept no responsibility for third party use of this Standard Detail.

SD/5/3
Standard Detail Number

Revision Number

SD/5/3

Revision